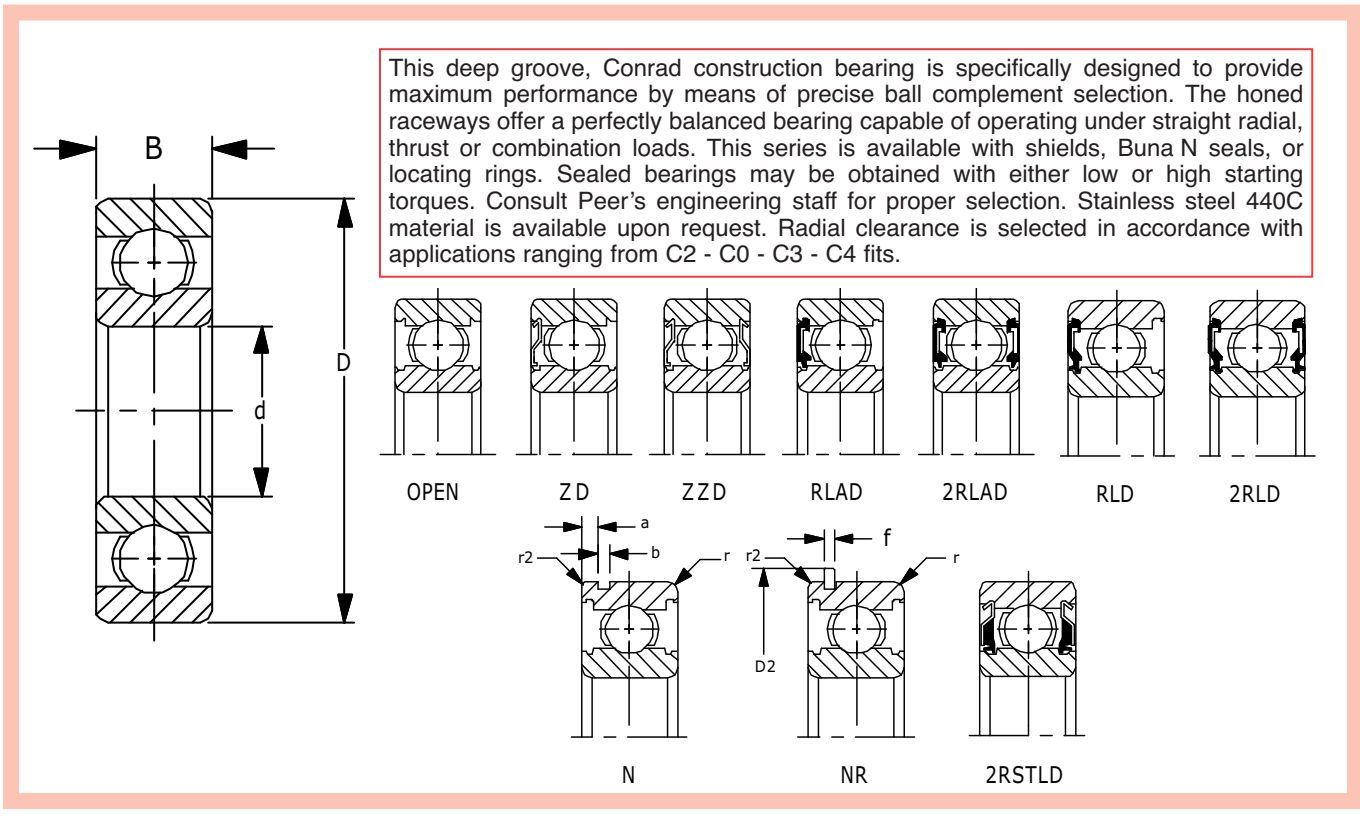


6200 SERIES



This deep groove, Conrad construction bearing is specifically designed to provide maximum performance by means of precise ball complement selection. The honed raceways offer a perfectly balanced bearing capable of operating under straight radial, thrust or combination loads. This series is available with shields, Buna N seals, or locating rings. Sealed bearings may be obtained with either low or high starting torques. Consult Peer's engineering staff for proper selection. Stainless steel 440C material is available upon request. Radial clearance is selected in accordance with applications ranging from C2 - C0 - C3 - C4 fits.

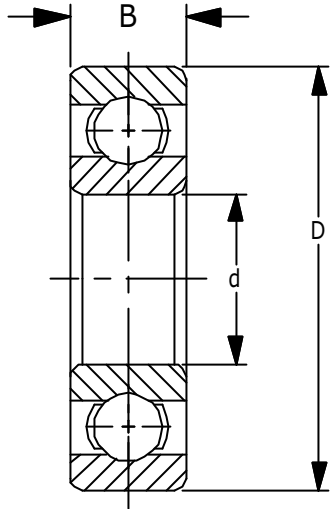
Units: Inches
Metric

Part Number	Bore d	Tolerance +.0000 to minus	OD D	Tolerance +.0000 to minus	Width B	Tolerance +.0000 to minus	* fillet radii		snap ring dimensions		snap ring groove dimensions		Basic Load Ratings lbf N		Weight lb Kg	Limiting speed of Open Bearing (rpm)	
							r	r2	D2 Max	f Max	a Max	b Min	Dynamic Cr	Static Cor		oil	grease
6200	.3937	.0003	1.1811	.0004	.3543	.0047	.024	.020	1.366	.044	.081	.053	1,150	540	.071	30,000	25,000
	10	.008	30	.009	9	.120	.6	.5	34.7	1.12	2.06	1.35	5,100	2,390	.032		
6201	.4724	.0003	1.2598	.0005	.3937	.0047	.024	.020	1.445	.044	.081	.053	1,530	680	.082	26,000	22,000
	12	.008	32	.011	10	.120	.6	.5	36.7	1.12	2.06	1.35	6,800	3,050	.037		
6201-8	.5000	.0003	1.2598	.0005	.3937	.0047	.024	.020	1.445	.044	.081	.053	1,530	680	.082	26,000	22,000
	12.7	.008	32	.011	10	.120	.6	.5	36.7	1.12	2.06	1.35	6,800	3,050	.037		
6201-13mm	.5118	.0003	1.2598	.0005	.3937	.0047	.024	.020	1.445	.044	.081	.053	1,530	680	.090	26,000	22,000
	13	.008	32	.011	10	.120	.6	.5	36.7	1.12	2.06	1.35	6,800	3,050	.041		
6202	.5906	.0003	1.3780	.0005	.4331	.0047	.024	.020	1.563	.044	.081	.053	1,740	839	.110	26,000	20,000
	15	.008	35	.011	11	.120	.6	.5	39.7	1.12	2.06	1.35	7,740	3,732	.050		
6202-10	.6250	.0003	1.3780	.0005	.4331	.0047	.024	.020	1.563	.044	.081	.053	1,740	839	.110	26,000	20,000
	15.875	.008	35	.011	11	.120	.6	.5	39.7	1.12	2.06	1.35	7,740	3,732	.050		
99502H	.6250	.0003	1.375	.0005	.4331	.0047	.024	.020	1.563	.044	.081	.053	1,740	839	.110	26,000	20,000
	15.875	.008	34.93	.011	11	.120	.6	.5	39.7	1.12	2.06	1.35	7,740	3,732	.050		
499502H	.6250	.0003	1.375	.0005	.4331	.0047	.024	.020	1.563	.044	.081	.053	1,740	839	.110	26,000	20,000
	15.875	.008	34.93	.011	11	.120	.6	.5	39.7	1.12	2.06	1.35	7,740	3,732	.050		
6202-16mm	.6299	.0003	1.3780	.0005	.4331	.0047	.024	.020	1.563	.044	.081	.053	1,740	839	.110	26,000	20,000
	16	.008	35	.011	11	.120	.6	.5	39.7	1.12	2.06	1.35	7,740	3,732	.050		
6203	.6693	.0003	1.5748	.0005	.4724	.0047	.024	.020	1.756	.044	.081	.053	2,160	1,080	.150	21,000	18,000
	17	.008	40	.011	12	.120	.6	.5	44.6	1.12	2.06	1.35	9,600	4,800	.068		
6203-6	.3750	.0003	1.5748	.0005	.4724	.0047	.024	.020	1.756	.044	.081	.053	2,160	1,080	.150	21,000	18,000
	9.525	.008	40	.011	12	.120	.6	.5	44.6	1.12	2.06	1.35	9,600	4,800	.068		
6203-8	.5000	.0003	1.5748	.0005	.4724	.0047	.024	.020	1.756	.044	.081	.053	2,150	1,080	.150	21,000	18,000
	12.7	.008	40	.011	12	.120	.6	.5	44.6	1.12	2.06	1.35	9,600	4,800	.068		
6203-10	.6250	.0003	1.5748	.0005	.4724	.0047	.024	.020	1.756	.044	.081	.053	2,150	1,080	.150	21,000	18,000
	15.875	.008	40	.011	12	.120	.6	.5	44.6	1.12	2.06	1.35	9,600	4,800	.068		
6203-16mm	.6299	.0003	1.5748	.0005	.4724	.0047	.024	.020	1.756	.044	.081	.053	2,150	1,080	.150	21,000	18,000
	16	.008	40	.011	12	.120	.6	.5	44.6	1.12	2.06	1.35	9,600	4,800	.068		

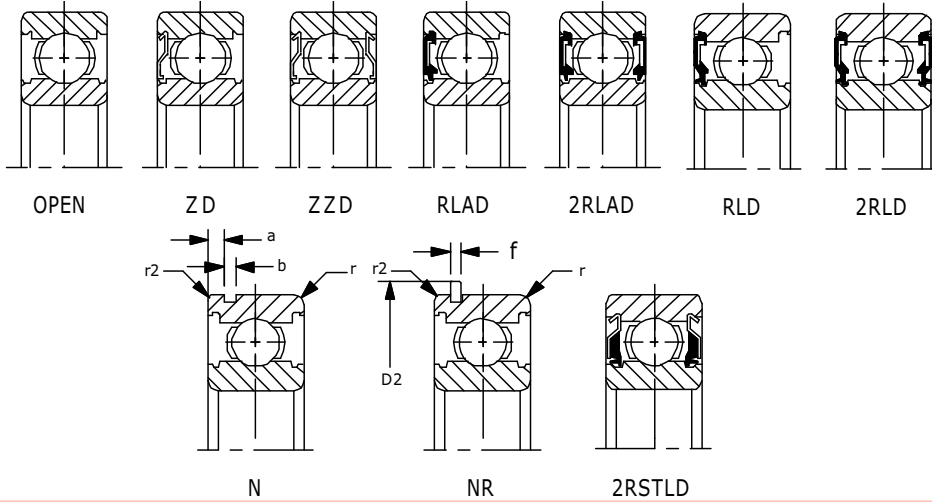
*Maximum fillet which corner radius of bearing will clear.



6200 SERIES (continued)



This deep groove, Conrad construction bearing is specifically designed to provide maximum performance by means of precise ball complement selection. The honed raceways offer a perfectly balanced bearing capable of operating under straight radial, thrust or combination loads. This series is available with shields, Buna N seals, or locating rings. Sealed bearings may be obtained with either low or high starting torques. Consult Peer's engineering staff for proper selection. Stainless steel 440C material is available upon request. Radial clearance is selected in accordance with applications ranging from C2 - C0 - C3 - C4 fits.

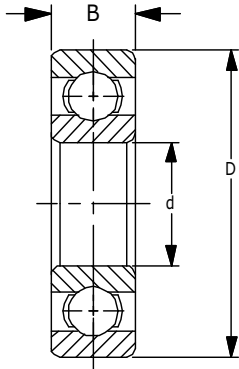


Units: Inches Metric

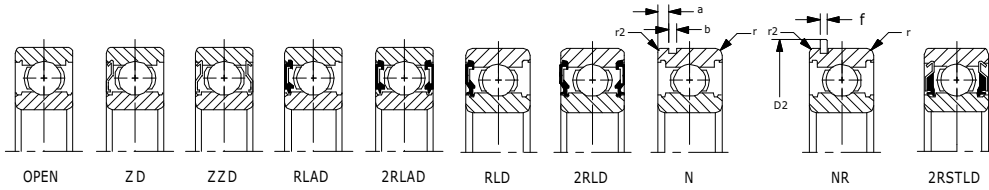
Part Number	Bore d	Tolerance +.0000 to minus	OD D	Tolerance +.0000 to minus	Width B	Tolerance +.0000 to minus	* fillet radii		snap ring dimensions		snap ring groove dimensions		Basic Load Ratings lbf N		Weight lb Kg	Limiting speed of Open Bearing (rpm) oil grease	
							r	r2	D2 Max	f Max	a Max	b Min	Dynamic Cr	Static Cor			
6203-12	.7500	.0003	1.5748	.0005	.4724	.0047	.024	.020	1.756	.044	.081	.053	2,150	1,080	.150	21,000	18,000
	19.05	.008	40	.011	12	.120	.6	.5	44.6	1.12	2.06	1.35	9,600	4,800	.068		
6204	.7874	.0004	1.8504	.0005	.5512	.0047	.039	.020	2.075	.044	.097	.053	2,880	1,480	.236	18,000	16,000
	20	.010	47	.011	14	.120	1.0	.5	52.7	1.12	2.46	1.35	12,811	6,580	.107		
6204-12	.7500	.0004	1.8504	.0005	.5512	.0047	.039	.020	2.075	.044	.097	.053	2,880	1,480	.236	18,000	16,000
	19.05	.010	47	.011	14	.120	1.0	.5	52.7	1.12	2.46	1.35	12,811	6,580	.107		
6204-14	.8750	.0004	1.8504	.0005	.5512	.0047	.039	.020	2.075	.044	.097	.053	2,880	1,480	.236	18,000	16,000
	22.225	.010	47	.011	14	.120	1.0	.5	52.7	1.12	2.46	1.35	12,811	6,580	.107		
29504-2RST	.7504	.0004	1.7805	.0005	.6100	.0047	.039	.020					2,880	1,480	.249	18,000	16,000
	19.016	.010	45.22	.011	15.49	.120	1.0	.5					12,811	6,580	.113		
62/22	.8661	.0004	1.9685	.0005	.5512	.0047	.059	.020	2.193	.044	.097	.053	2,900	1,530	.262	17,000	14,000
	22	.010	50	.011	14	.120	1.0	.5	55.7	1.12	2.46	1.35	12,900	6,806	.119		
6205	.9843	.0004	2.0472	.0005	.5906	.0047	.039	.020	2.280	.044	.097	.053	3,150	1,770	.284	15,000	13,000
	25	.010	52	.013	15	.120	1.0	.5	57.9	1.12	2.46	1.35	14,000	7,850	.129		
6205-14	.8750	.0004	2.0472	.0005	.5906	.0047	.039	.020	2.280	.044	.097	.053	3,150	1,770	.284	15,000	13,000
	22.225	.010	52	.013	15	.120	1.0	.5	57.9	1.12	2.46	1.35	14,000	7,850	.129		
6205-16	1.0000	.0004	2.0472	.0005	.5906	.0047	.039	.020	2.280	.044	.097	.053	3,150	1,770	.291	15,000	13,000
	25.4	.010	52	.013	15	.120	1.0	.5	57.9	1.12	2.46	1.35	14,000	7,850	.132		
62/28	1.1024	.0004	2.2835	.0005	.6299	.0047	.059	.020	2.508	.044	.097	.053	4,027	2,190	.386	14,000	12,000
	28	.010	58	.013	16	.120	1.5	.5	63.7	1.12	2.46	1.35	17,900	9,750	.175		
6206	1.1811	.0004	2.4409	.0005	.6299	.0047	.039	.020	2.665	.067	.129	.075	4,400	2,540	.262	13,000	11,000
	30	.010	62	.013	16	.120	1.0	.5	67.7	1.7	3.28	1.9	19,500	11,300	.119		
62/32	1.2598	.0005	2.5591	.0005	.6693	.0047	.059	.020	2.783	.067	.129	.075	4,657	2,600	.498	12,000	11,000
	32	.012	65	.013	17	.120	1.5	.5	70.7	1.7	3.28	1.9	20,700	11,600	.226		
6207	1.3780	.0005	2.8346	.0005	.6693	.0047	.043	.020	3.094	.067	.129	.075	5,782	3,442	.626	11,000	9,300
	35	.012	72	.013	17	.120	1.1	.5	78.6	1.7	3.28	1.9	25,700	15,300	.284		
6208	1.5748	.0005	3.1496	.0005	.7087	.0047	.043	.020	3.409	.067	.129	.075	6,550	4,000	.807	10,000	8,700
	40	.012	80	.013	18	.120	1.1	.5	86.6	1.7	3.28	1.9	29,100	17,900	.366		
6209	1.7717	.0005	3.3465	.0006	.7480	.0047	.043	.020	3.606	.067	.129	.075	7,350	4,580	.939	9,200	7,800
	45	.012	85	.015	19	.120	1.1	.5	91.6	1.7	3.28	1.9	32,700	20,400	.426		

*Maximum fillet which corner radius of bearing will clear.

6200 SERIES (continued)



This deep groove, Conrad construction bearing is specifically designed to provide maximum performance by means of precise ball complement selection. The honed raceways offer a perfectly balanced bearing capable of operating under straight radial, thrust or combination loads. This series is available with shields, Buna N seals, or locating rings. Sealed bearings may be obtained with either low or high starting torques. Consult Peer's engineering staff for proper selection. Stainless steel 440C material is available upon request. Radial clearance is selected in accordance with applications ranging from C2 - C0 - C3 - C4 fits.



Units: Inches Metric

Part Number	Bore d	Tolerance +.0000 to minus	OD D	Tolerance +.0000 to minus	Width B	Tolerance +.0000 to minus	* fillet radii		snap ring dimensions		snap ring groove dimensions		Basic Load Ratings lbf N		Weight lb Kg	Limiting speed of Open Bearing (rpm)	
							r	r2	D2 Max	f Max	a Max	b Min	Dynamic Cr	Static Cor		oil	grease
6210	1.9685	.0005	3.5433	.0006	.7874	.0047	.043	.020	3.799	.097	.129	.106	7,875	5,220	1.012	8,300	7,100
	50	.012	90	.015	20	.120	1.1	.5	96.5	2.46	3.28	2.7	35,000	23,200	.459	7,600	6,400
6211	2.1654	.0006	3.9370	.0006	.8268	.0059	.059	.020	4.193	.097	.129	.106	9,800	6,580	1.365	7,600	6,400
	55	.015	100	.015	21	.150	1.5	.5	106.5	2.46	3.28	2.7	43,500	29,300	.619	7,000	6,000
6212	2.3622	.0006	4.3307	.0006	.8661	.0059	.059	.020	4.591	.097	.129	.106	11,800	8,100	1.720	7,000	6,000
	60	.015	110	.015	22	.150	1.5	.5	116.6	2.46	3.28	2.7	52,500	36,000	.780	6,500	5,500
6213	2.5591	.0006	4.7244	.0006	.9055	.0059	.059	.020	5.106	.111	.160	.122	12,937	9,037	2.220	6,500	5,500
	65	.015	120	.015	23	.150	1.5	.5	129.7	2.82	4.06	3.1	57,500	40,000	1.007	6,000	5,100
6214	2.7559	.0006	4.9213	.0007	.9449	.0059	.059	.020	5.303	.111	.160	.122	13,950	9,900	2.410	6,000	5,100
	70	.015	125	.018	24	.150	1.5	.5	134.7	2.82	4.06	3.1	62,000	44,000	1.093	5,600	4,800
6215	2.9528	.0006	4.1181	.0007	.9843	.0059	.059	.020	5.500	.111	.160	.122	14,900	11,100	2.620	5,600	4,800
	75	.015	130	.018	25	.150	1.5	.5	139.7	2.82	4.06	3.1	66,000	49,500	1.190	5,300	4,500
6216	3.1496	.0006	5.5118	.0007	1.0236	.0059	.079	.020	5.894	.111	.193	.122	16,300	11,925	3.130	5,300	4,500
	80	.015	140	.018	26	.150	2.0	.5	149.7	2.82	4.9	3.1	72,500	53,000	1.420	5,000	4,200
6217	3.3465	.0008	5.9055	.0007	1.1024	.0079	.079	.020	6.287	.111	.193	.122	18,787	14,400	3.880	5,000	4,200
	85	.020	150	.018	28	.200	2.0	.5	159.7	2.82	4.9	3.1	83,500	64,000	1.760	4,700	4,000
6218	3.5433	.0008	6.2992	.0010	1.1811	.0079	.079	.020	6.681	.111	.193	.122	21,000	16,100	4.800	4,700	4,000
	90	.020	160	.025	30	.200	2.0	.5	167.7	2.82	4.9	3.1	96,000	71,500	2.180	4,400	3,700
6219	3.7402	.0008	6.6929	.0010	1.2598	.0079	.083	.020	7.201	.122	.224	.138	24,525	18,450	5.820	4,400	3,700
	95	.020	170	.025	32	.200	2.1	.5	182.9	3.1	5.69	3.5	109,000	82,000	2.640	4,200	3,500
6220	3.9370	.0008	7.0866	.0010	1.3386	.0079	.083	.020	7.594	.122	.224	.138	27,500	20,900	7.200	4,200	3,500
	100	.020	180	.025	4	.200	2.1	.5	192.9	3.1	5.69	3.5	122,000	93,000	3.266	4,000	3,400
6221	4.1339	.0008	7.4803	.0012	1.4173	.0079	.083	.020	7.988	.122	.224	.138	29,900	23,500	8.350	4,000	3,400
	105	.020	190	.030	36	.200	2.1	.5	202.9	3.1	5.69	3.5	133,000	105,000	3.790	3,800	3,200
6222	4.3307	.0008	7.8740	.0012	1.4961	.0079	.083	.020	8.382	.122	.224	.138	32,400	26,325	9.810	3,800	3,200
	110	.020	200	.030	38	.200	2.1	.5	212.9	3.1	5.69	3.5	144,500	117,000	4.450	3,400	2,900
6224	4.7244	.0008	7.4646	.0012	1.5748	.0079	.083						34,875	29,475	11.660	3,400	2,900
	120	.020	215	.030	40	.200	2.1						155,000	131,000	5.290	3,100	2,700
6226	5.1181	.0010	9.0551	.0012	1.5748	.0098	.118						37,575	32,850	13.140	3,100	2,700
	130	.025	230	.030	40	.250	3.0						167,000	146,000	5.960	2,900	2,500
6228	5.5118	.0010	9.8425	.0012	1.6535	.0098	.118						37,350	33,500	16.900	2,900	2,500
	140	.025	250	.030	42	.250	3.0						166,000	149,750	7.566	2,700	2,300
6230	5.9055	.0010	1.6299	.0014	1.7717	.0098	.118						39,600	37,500	22.050	2,700	2,300
	150	.025	270	.035	45	.250	3.0						175,600	150,000	10.002	2,500	2,100
6232	6.2992	.0010	11.4173	.0014	1.8898	.0098	.118						41,625	42,800	28.200	2,500	2,100
	160	.025	290	.035	48	.250	3.0						185,000	186,000	12.800	2,400	2,000
6234	6.6929	.0010	12.2047	.0014	2.0472	.0098	.157						47,700	50,400	34.800	2,400	2,000
	170	.025	310	.035	52	.250	4.0						212,000	224,000	15.785	2,200	1,900
6236	7.0866	.0010	12.5984	.0016	2.0472	.0098	.157						51,075	54,225	34.800	2,200	1,900
	180	.025	320	.040	52	.250	4.0						227,000	241,000	15.785	2,100	1,800
6238	7.4803	.0012	13.3858	.0016	2.1654	.0118	.157						57,335	63,450	49.170	2,100	1,800
	190	.030	340	.040	55	.300	4.0						255,000	282,000	22.303	2,100	1,800

*Maximum fillet which corner radius of bearing will clear.