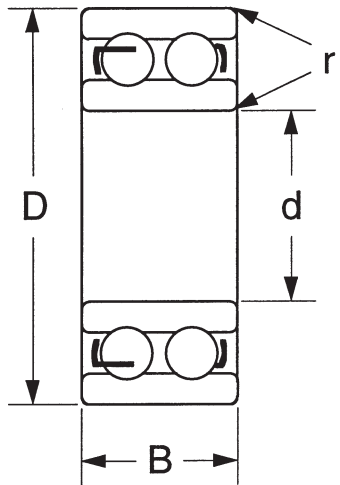
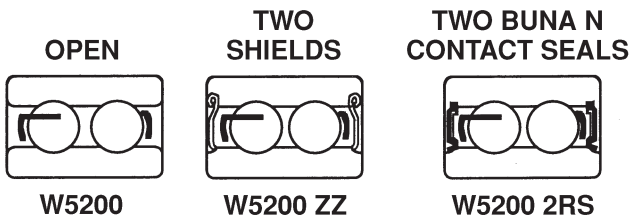




W5200/W5300 SERIES



The same construction and ball complement as the 5200 series. Made with a slightly larger width as a replacement for other manufacturers.



Units: Inches
Metric

Part Number	Bore d	Tolerance +.0000 to minus	OD D	Tolerance +.0000 to minus	Width B	Tolerance +.0000 to minus	* fillet radii r	Basic Load Ratings lbf N		Weight lb Kg	Limiting speed of Open Bearing (rpm)	
								Dynamic Cr	Static Cor		oil	grease
W5201	.4724	.0003	1.2598	.0005	.6875	.0050	.024	2,430	1,305	.162	16,150	12,350
	12	.008	32	.011	17.463		.6	10,500	5,800	.073		
W5202	.5906	.0003	1.378	.0005	.7500	.0050	.024	2,632	1,586	.171	14,250	10,450
	15	.008	35	.011	19.050		.6	11,700	7,050	.077		
W5203	.6693	.0003	1.5748	.0005	.8125	.0050	.024	3,285	2,036	.242	12,350	9,405
	17	.008	40	.011	20.638		.6	14,600	9,050	.110		
W5204	.7874	.0004	1.8504	.0005	.9375	.0050	.039	4,410	2,790	.401	11,400	8,400
	20	.010	47	.011	23.813		1.0	19,600	12,400	.182		
W5205	.9843	.0004	2.0472	.0005	.9375	.0050	.039	4,792	3,307	.441	9,310	7,000
	25	.010	52	.011	23.813		1.0	21,300	14,700	.200		
W5206	1.1811	.0004	2.4409	.0005	1.0625	.0050	.039	6,660	4,747	.711	8,400	6,000
	30	.010	62	.011	26.988		1.0	29,600	21,100	.323		
W5207	1.13780	.0005	2.8346	.0005	1.1890	.0050	.079	8,500	6,250	1.21	7,400	5,500
	35	.011	72	.011	30.2		2.0	37,812	27,803	.549		
W5304	.7874	.0004	2.0472	.0005	1.000	.0050	.079	4,650	2,850	.54	12,000	9,000
	20	.010	52	.011	25.4		2.0	20,685	12,678	.245		
W5305	.9843	.0004	2.4409	.0005	1.1250	.0050	.079	6,850	4,600	.89	10,000	8,000
	25	.010	62	.011	29.6		2.0	30,472	20,463	.404		
W5306	1.1811	.0004	2.8346	.0005	1.3125	.0050	.079	8,900	6,200	1.41	8,000	6,000
	30	.010	72	.011	33.3		2.0	39,591	27,580	.640		
W5307	1.3780	.0005	3.14796	.0005	1.500	.0050	.098	11,100	7,850	1.89	6,000	5,000
	35	.011	80	.011	38.1		2.5	49,378	34,920	.858		

*Maximum fillet which corner radius of bearing will clear.