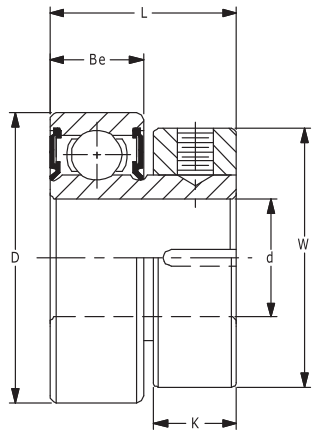
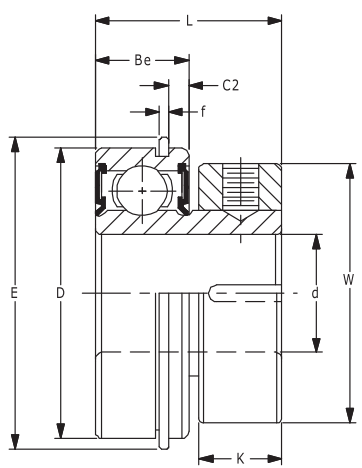


# COLLAR BEARINGS/FLANGETTE SERIES



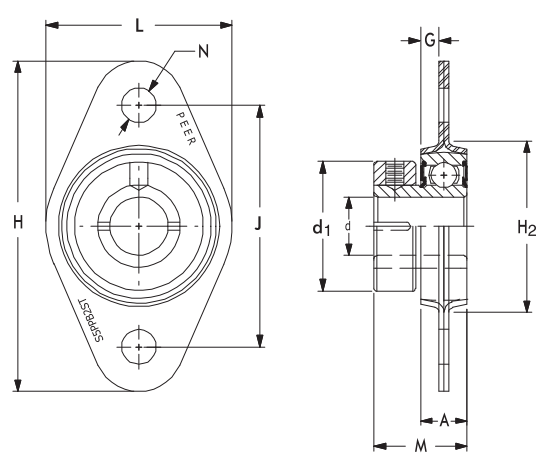
Collar Bearings Clamp Type Standard Type

Part Number	d	D	Be	L	K	W
	+0.005 - .0000	+0.000 - .0004	+0.000 - .005	+0.000 - .005		
S1PP7-4	.1875	.6250	.1960	.4219	3/16"	9/16"
S1PP7-3	.2500	.6250	.1960	.4219	3/16"	9/16"
S3PP16	.3125	.8750	.2812	.5625	1/4"	25/32"
S3PP4	.3750	.8750	.2812	.5625	1/4"	25/32"
S5PP2	.5000	1.1250	.3125	.6250	9/32"	29/32"



"G" Type: Snap Ring Mounted on Outer Diameter

Part Number	d	D	Be	L	K	W	C <sub>2</sub>	f
	+0.005 - .0000	+0.000 - .0004	+0.000 - .005	+0.000 - .005				
S1PPG7-4	.1875	.6250	.1960	.4219	3/16"	9/16"	.070	.026
S1PPG7-3	.2500	.6250	.1960	.4219	3/16"	9/16"	.070	.026
S3PPG16	.3125	.8750	.2812	.5625	1/4"	25/32"	.090	.026
S3PPG4	.3750	.8750	.2812	.5625	1/4"	25/32"	.090	.026
S5PPG2	.5000	1.1250	.3125	.6250	9/32"	29/32"	.090	.031



**Flangette Series**  
 1. Bearing material 52100 Chrome steel  
 2. House material pressed steel  
 3. Bearings meet ABEC 1 tolerances except bore  
 4. Bearing double sealed

Part Number	d	L	J	N	M	G	d <sub>1</sub>	A	H <sub>2</sub>	H
	+0.005 - .0000									
S1PPB73ST	.2500	7/8"	1 7/32"	7/32"	.43	.079	9/16"	7/23"	25/32"	1.78125
S3PPB15ST	.3125	1 3/16	1 17/32	7/32	.562	.107	25/32	9/32	1 3/32	2 3/32
S3PPB5ST	.3750	1 3/16	1 17/32	7/32	.562	.107	25/32	9/32	1 3/32	2 3/32
S5PPB2ST	.5000	1 7/16	1 25/32	7/32	.625	.120	29/32	5/16	1 9/32	2 11/32

